

STEFANO

Type DW(S)

Horizontal multi-stage stainless steel pumps**PATENT PRODUCTS****Performance Data****2900rpm**

Model		power		Capacity										
				m ³ /h	0	0.4	0.6	0.8	1.0	1.2	1.4	1.6	2.0	2.5
single phase 220V/50Hz	three phase 380V/50Hz	kW	HP	l/min	0	6.7	10	13.3	16.7	20	23.3	26.7	33.3	41.7
				Head (m)										
DW(S)1-20/037D	DW(S)1-20/037	0.37	0.5		17.5	16.5	16	15.5	14.5	13.5	12.5	11.5	9.5	5.5
DW(S)1-30/037D	DW(S)1-30/037	0.37	0.5		26.5	25	24	23	22	20.5	19	18	15	9
DW(S)1-40/037D	DW(S)1-40/037	0.37	0.5		35	33.5	32	30.5	29	27.5	25.5	23.5	19	12
DW(S)1-50/037D	DW(S)1-50/037	0.37	0.5		44	41.5	40	38.5	36.5	34	31.5	29	23	15
DW(S)1-60/045D	DW(S)1-60/045	0.45	0.6		53	50	48	46	43.5	41	38	35	29	18

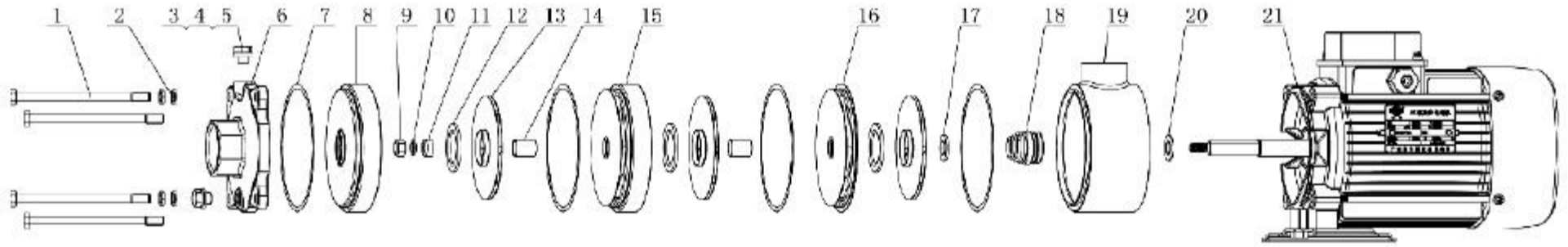
Model		power		Capacity										
				m ³ /h	0	1	1.5	2	2.5	3	3.5	4	4.2	
single phase 220V/50Hz	three phase 380V/50Hz	kW	HP	l/min	0	16.7	25	33.3	41.7	50	58.3	66.7	70	
				Head (m)										
DW(S)3-20/037D	DW(S)3-20/037	0.37	0.50		19	18	17	16	15.5	14	12	10	9	
DW(S)3-30/037D	DW(S)3-30/037	0.37	0.50		28	27	26	25	23	21	18	15	13	
DW(S)3-40/045D	DW(S)3-40/045	0.45	0.60		38	36	34	33	31	28	23.5	19	17	
DW(S)3-50/055D	DW(S)3-50/055	0.55	0.75		48	45	43	41	39	35	30	24	21	
DW(S)3-60/075D	DW(S)3-60/075	0.75	1.00		58	54	52	49	47	42	36	29	25	

Model		power		Capacity										
				m ³ /h	0	1	2	3	4	4.5	5	5.5	6	6.5
single phase 220V/50Hz	three phase 380V/50Hz	kW	HP	l/min	0	16.7	33.3	50	66.7	75	83.3	91.7	100	108
				Head (m)										
DW(S)5-20/045D	DW(S)5-20/045	0.45	0.6		19	18	17.5	17	16	15	14	13	11	10
DW(S)5-30/075D	DW(S)5-30/075	0.75	1.0		28	27	26	25	24	22	21	20	17	15
DW(S)5-40/090D	DW(S)5-40/090	0.90	1.2		38	36	35	33	32	29	28	26	23	20
DW(S)5-50/110D	DW(S)5-50/110	1.10	1.5		48	45	44	42	40	39	35	33	29	25
DW(S)5-60/150D	DW(S)5-60/150	1.50	2.0		58	54	53	51	48	47	43	40	35	30

STEFANO

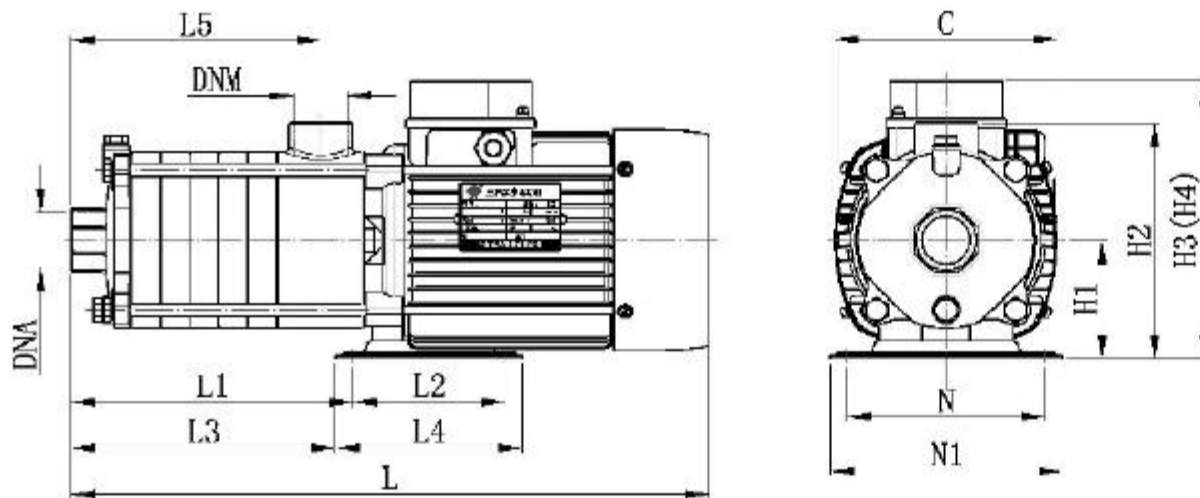
STAINLESS STEEL PUMPS

Part List



No	Part Name	No	Part Name	No	Part Name	No	Part Name	No	Part Name
1	Tension Bar	6	Suction	11	Shaft sleeve I	16	Diffuser assembly	21	Motor
2	Spring washer	7	Gasket	12	Neck ring	17	Mech. Seal plate		
3	Priming/Drain bolt	8	Diffuser assembly I	13	Impeller	18	Mechanical seal		
4	"L" Washer	9	Impeller nut	14	Shaft sleeve II	19	Discharge		
5	O ring	10	Spring washer	15	Diffuser assembly II	20	"V" Slinger		

Outline Dimension



Model	Dimensions(mm)															Weight (kg)	
	C	H1	H2	H3	H4	L	L1	L2	L3	L4	L5	N	N1	DNA	DNM		
DW(S)1-20/037D	DW(S)1-20/037	122	75	149	169	168	310	105	96	94	118	85	125	147	G1"	G1"	7.5
DW(S)1-30/037D	DW(S)1-30/037	122	75	149	169	168	328	123	96	112	118	103	125	147	G1"	G1"	8.0
DW(S)1-40/037D	DW(S)1-40/037	122	75	149	169	168	346	141	96	130	118	121	125	147	G1"	G1"	8.2
DW(S)1-50/037D	DW(S)1-50/037	122	75	149	169	168	364	159	96	148	118	139	125	147	G1"	G1"	8.5
DW(S)1-60/045D	DW(S)1-60/045	122	75	149	169	168	382	177	96	166	118	157	125	147	G1"	G1"	9.0
DW(S)3-20/037D	DW(S)3-20/037	122	75	149	169	168	310	105	96	94	118	85	125	147	G1"	G1"	7.5
DW(S)3-30/037D	DW(S)3-30/037	122	75	149	169	168	328	123	96	112	118	103	125	147	G1"	G1"	8.0
DW(S)3-40/045D	DW(S)3-40/045	122	75	149	169	168	346	141	96	130	118	121	125	147	G1"	G1"	8.5
DW(S)3-50/055D	DW(S)3-50/055	140	75	149	178	177	384	159	96	148	118	139	125	147	G1"	G1"	10
DW(S)3-60/075D	DW(S)3-60/075	140	75	149	178	177	402	177	96	166	118	157	125	147	G1"	G1"	11
DW(S)5-20/045D	DW(S)5-20/045	122	75	149	169	168	310	105	96	94	118	85	125	147	G1 1/4"	G1"	8
DW(S)5-30/075D	DW(S)5-30/075	140	75	149	178	177	348	123	96	112	118	103	125	147	G1 1/4"	G1"	10
DW(S)5-40/090D	DW(S)5-40/090	140	75	149	178	177	366	141	96	130	118	121	125	147	G1 1/4"	G1"	11
DW(S)5-50/110D	DW(S)5-50/110	158	90	164	230	200	412	159	125	148	147	139	140	162	G1 1/4"	G1"	13.5
DW(S)5-60/150D	DW(S)5-60/150	158	90	164	230	200	430	177	125	166	147	157	140	162	G1 1/4"	G1"	16.5

H3 for motors on single phase, H4 for motors on three phase