

TECHNICAL CHARACTERISTICS HC3 SERIES

Model	Max Flow at		Stroke frequency	Stroke volume	Stroke length	Power cons.	Hose size	Pump head (connections)	Max suction
	l/h	bar							
• HC300 PH/RX 02-09	2	9	120	0.27	0.8	30	4x6	PP 3/8"	1.5
• HC300 PH/RX 05-09	5	9	120	0.69	1	50	4x6	PP 3/8"	1.5
• HC300 PH/RX 10-04	10	4	120	1.38	1.2	50	4x6	PP 3/8"	1.5
HC300 PH/RX 18-04	18	4	120	2.50	1.5	65	4x6	PP 3/8"	1.5
HC300 PH/RX 30-02	30	2	120	4.17	1.5	70	10x14	PVC 1/2"	1.5
HC300PH/RX 50-0.05	50	0.5	120	6.94	1.5	70	10x14	PVC 1/2"	1.5

• Available to special order only

HC3 CURVES	Flow at max pressure		Flow average pressure		Flow at 1 bar	
	l/h	bar	l/h	bar	l/h	bar
Model						
02-09	2	9	3.2	4.5	10.8	1
05-09	5	9	8.4	4.5	9.8	1
10-04	10	4	11	2	14	1
18-04	18	4	22	2	24	1
30-02	30	2			35	1
50-0.5	0.5	50				

NOTE: The flow rates opposite have been obtained by testing the pump with medium hardness water at a 1.5m suction lift at room temperature

Power supply: **230 Vac -1 phase - 50/60 Hz / ± 10%**

Available upon request: **110 Vac - 1 phase - 60 Hz**

Recommended frequency adjustment: **10 - 100%**

Connector: **4 pole IP66 / Level switch 2 m cable**

Reproducibility under standard conditions: **± 5%**

Power cable: **3 m grounded without plug**

Ambient working temperature: **45°C**

Voltage working range: **min 207v - Max 253v**

Voltage Peak: **Max 270 v**

Plastic housing and support: **PP reinforced; IP65**

HC300 PH-RX is provided with Standard Hose Accessory Kit:

1 No - PP Non return Injection fitting (sleeve type)

2 m - Discharge Hose (PE)

2 m - PVC clear suction hose

1.5 m - PVC clear priming hose

HC300 PH-RX is provided with a Low Level facility as standard which requires a low level switch available on request:

1 No - PP Foot valve strainer with lip valve
Screws and plugs for pump mounting bracket

For Ball valve version:

1 No - Injection Valve- hastelloy spring -ball Pyrex

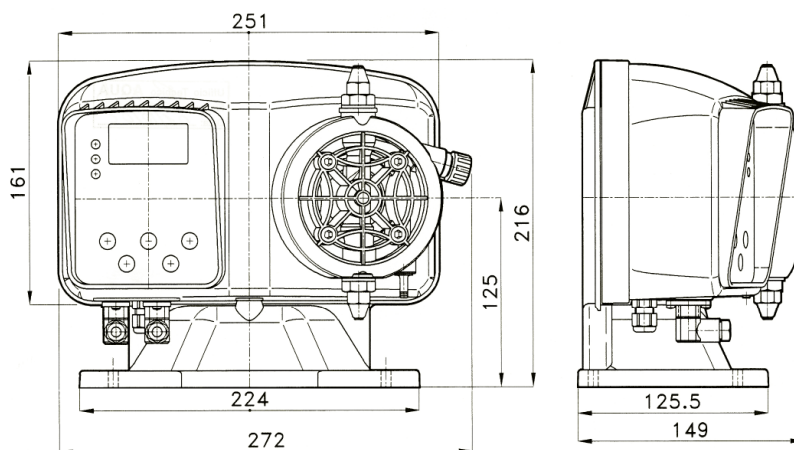


HC3 series dimensions and packing

Packing weight: **4 - 6 kg**

Packing size (mm): **330 x 250 x 375**

Packing volume: **0.01 m3**



Technical Data Sheet
HC300 PH-RX