



**DOSING SYSTEM**  
Solenoid Driven Dosing Pumps

AQUA SPA  
Via Crotti, 1  
42018 San Martino in Rio (RE)  
Ph. +39 0522 695805 – 85  
Fax: +39 0522 646160  
e-mail: [aqua@acqua.it](mailto:aqua@acqua.it)  
[www.acqua.it](http://www.acqua.it)

**Technical Data Sheet**  
HC3 series

# HC300

## KEY FEATURES

- Stroke frequency control 0÷100%
- Double scale pulse reduction: 0÷100% / 0÷20%
- PTFE diaphragm
- Constant / On-Off dosing control
- 2 LED display status
- Analogue Controls
- On-Off power switch
- Dosing Head with integrated priming valve
- Double Ball valves
- Lip valves type for 30, 50 l/h flow rates
- Wall Mount with bracket & fixing kit
- Optional horizontal mount bracket at extra cost
- Reinforced Plastic PP housing
- Supplied with hose accessory kit
- Provided standard with Low Level Facility (Switch not included – model required ADSLG)



The **HC300** is a solenoid driven dosing pump, diaphragm actuated, for standard duties where a constant dosing operation with a reliable performance is required. Designed for either continuous or intermittent operation, they are a reliable means of conveying strong chemicals under precise control into water treatment and process systems. They operate on the well proven principle of electromagnetic drive, with electronic frequency control. Their frequency (stroking speed) is adjustable in 2 speed ranges selectable via a two position switch which is also mounted on the front face. Also available a plastic support bracket for **horizontal mounting**.

## PUMP CONTROL MODE

**Constant mode:** The pump flow rate is adjusted via a stroke frequency control knob and will constantly deliver according to the flow rate selected.

Connected to a **Remote On/Off** equipment, the pump will start and stop operations according to the external contact.

**Level control:** level switch stops the pump when chemical level runs low allowing the pump to stay primed.

## LIQUID ENDS MATERIAL HC3

	Standard Version	Upon request
Pump head	<b>PP/PVC</b>	Up to 18 L/H – PVDF; up to 10 L/H – PVC self degassing head
Diaphragm	<b>PTFE</b>	-----
Balls	<b>GLASS PYREX</b>	PTFE; CERAMIC
Connection fitting	<b>PP</b>	PVDF
Seals/O-rings	<b>Viton®</b>	Dutral®
Spring loaded injection valve	<b>Hastelloy/Pirex</b>	Hastelloy/( PTFE; AISI 316; CERAMIC)
Injection Fitting	<b>PP</b>	PVDF
Foot Valve/Filter Fitting	<b>PP</b>	PVDF
Suction Hose /Air Bleed hose	<b>PVC</b>	
Discharge Hose	<b>PE</b>	

Viton®: FPM / Dutral®: EPDM, are registered trademarks of Dupont Elastomers

## TECHNICAL CHARACTERISTICS HC3 SERIES

Model	Max Flow at		Stroke frequency per min.	Stroke volume ml / l	Hose size mm	Pump head connection	Max suction lift m
	l/h	bar					
02-09	2	9	120	0,27	4x6	PP 3/8" 2-15	1,5
05-09	5	9	120	0,69	4x6	PP 3/8" 2-15	1,5
10-04	10	4	120	1,38	4x6	PP 3/8" 2-15	1,5
10-08	10	8	120	1,38	4x6	PP 3/8" 2-15	1,5
18-04	18	4	120	2,77	4x6	PP 3/8½" 20	1,5
30-02	30	2	120	4,16	10x14	PVC ½"30/50	1,5
50-0,5	50	0,5	120	6,94	10x14	PVC ½"30/50	1,5

HC3 CURVES	Flow at max pressure		Flow at median pressure		Flow at 1 bar	
	l/h	bar	l/h	bar	l/h	bar
02-09	2	9	4	4,5	9	1
05-09	5	9	8	4,5	12	1
10-04	10	4	13	2	17	1
10-08	10	8	12	4	15	1
18-04	18	4	22	2	24	1
30-02	30	2	35	1	38	0,5
50-0,5	50	0,5	55	-	-	-

NOTE: All mentioned outputs refer to tests done having water temperature at 20°C with indicated counter pressure. Tolerance is calculated at ± 10 % at a constant pressure of ± 0,5 bars.

Red LED: shows pumps Running status

Frequency Stroke adjustment: from 0 – 100 % of the Flow

Green LED: indicates pump power status

ON / OFF Button



ORANGE LED: shows the chemical level, Will turn on when the product is finishing (when used with Low Level Switch)

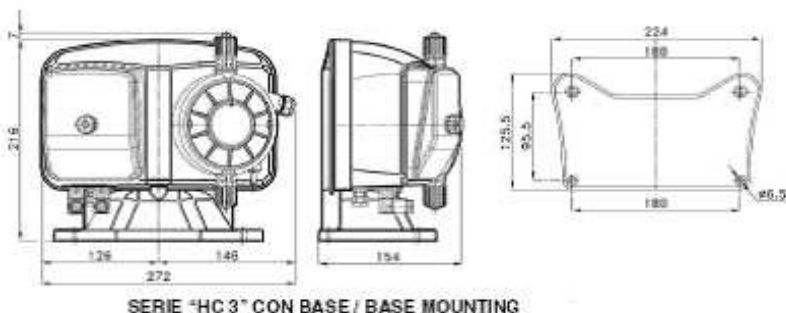
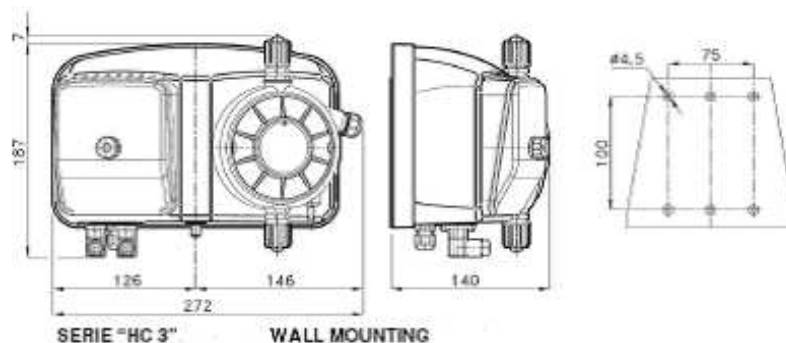
Potentiometer button: control by adjusting the numbers of pulses per minutes from 1 and 1/5 of flow.

Power supply standard : 230 Vac–1 phase– 50/60 Hz / ± 10%	Ambient working temperature: 45°C
Power cable: 3 m grounded without plug	Voltage working range: min.207V ÷ Max 253 V
Recommended frequency adjustment: 10 ÷100%	Voltage Peak: Max 270 V
Connector: 4 pole IP66 / Level switch	Plastic housing and support: PP reinforced; IP65
Reproducibility under standard conditions: ± 5%	

**HC300 C is provided with Standard Hose Accessories Kit:**

- 1 - Injection Valve, hastelloy spring, ball glass Pyrex
- 2 m - Discharge Hose (white)
- 2 m - Suction Hose PVC flexible (transparent)
- 1,5 m - Air Bleed Hose PVC flexible (transparent)
- 1 - Foot Valve/Filter
- Screws and Bracket for wall mounting

NON – STANDARD OPTIONS
Electric Plug
Power Supply : 110 Vac 50/ 60 Hz
Power Supply : extractable connector



**HC3 series dimensions and packing**

Packing weight: 4÷6 kg  
 Packing size (mm): 300 x 350 x 160  
 Packing volume: 0.02 m3

